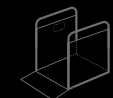




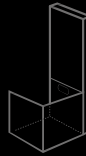
**MP ACCESSIBILITY**



PLATFORM LIFT  
up to 1 m



PLATFORM LIFT  
up to 2 m

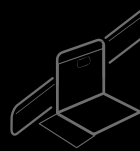


PLATFORM LIFT  
up to 2.99 m



# MP | PLATFORM STAIRLIFT V65 | FOR CURVED STAIRS

The MP V65 platform stairlift brings accessibility to public and private buildings, and represents a solution that is increasingly sought-after by those with disabilities in their homes thanks to its compact design, meaning it doesn't take up much space, and the fact that it is so easy to use.



PLATFORM STAIRLIFT  
for straight stairs



CHAIR STAIRLIFT  
for straight stairs

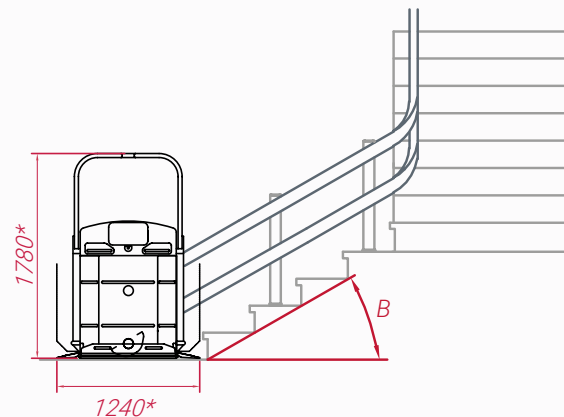
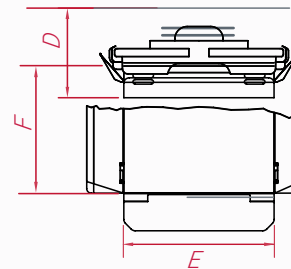
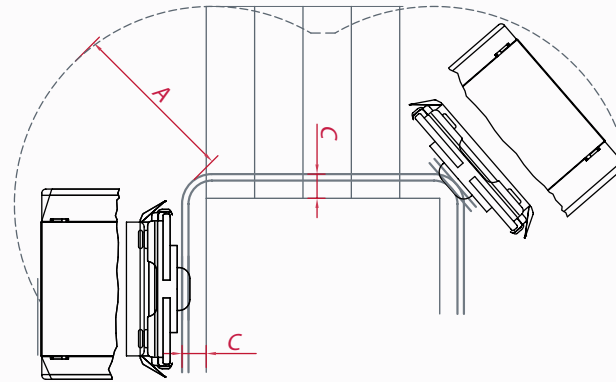


CHAIR STAIRLIFT  
for curved stairs



## CHAIR STAIRLIFT FOR CURVED STAIRS

### STANDARD MODEL



\*THESE MEASUREMENTS ARE FOR THE STANDARD MODEL

### TECHNICAL INFORMATION

MODEL	BASIC*	LARGE	EXTRA LARGE
MINIMUM CURVED STAIR WIDTH (A)	1130 mm	1250 mm	1320 mm
GRADIENT ALLOWED (B)	7° to 50°	7° to 50°	7° to 50°
MINIMUM SPACE OCCUPIED BY THE GUIDE RAIL (C)	160 mm	160 mm	160 mm
MINIMUM SPACE OCCUPIED BY THE CLOSED PLATFORM (D)			
PLATFORM SIZE (ExF)	830 x 700 mm	1050 x 770 mm	1250 x 800 mm
WEIGHT CAPACITY UP TO 45°	300 kg	300 kg	250 kg
WEIGHT CAPACITY MORE THAN 45°	200 kg	200 kg	200 kg
SPEED	8 m/min	8 m/min	8 m/min
POWER SUPPLY	230 V	230 V	230 V
MOTOR SIZE	1 kW	1 kW	1 kW

\*Model not recommended for residential buildings adapted for those with disabilities or public buildings

### STANDARD FEATURES AND SAFETY

- Design in accordance with Directive 2006/42/EC on Machinery
- Controls protected against accidental use and can only be used when an operator is present
- Removable key
- Emergency stop
- Manual emergency operation
- Progressive mechanical buffer
- Overspeed governor
- Automatic safety edges
- Handrails
- Electronic safety limit switches
- Devices to protect against jolts (shock absorption), power outages and passengers becoming crushed
- Radio frequency remote control
- Sound when moving

### OPTIONAL

- Protective cover
- Powered folding up of the platform
- Platform with special size
- Overload alarm that lights up and makes a sound when activated
- Light when moving
- Fold-up seat
- Remote control column
- Rails that retract into the body of the machine (except for the 1250 mm x 800 mm platform)
- Stops in between one landing and another
- Radio frequency remote control for those accompanying passengers
- Suitable for outdoor installation
- Battery backup in the event of a power outage

THE TECHNICAL INFORMATION GIVEN IS FOR GUIDANCE ONLY AND IS IN NO WAY BINDING.

### USES

This stairlift for curved stairs of up to 60 metres in height is designed to allow those with reduced mobility or in a wheelchair to get up and down stairs and steps effortlessly, and ensures maximum reliability and minimum noise.

### BENEFITS

#### SAFE, RELIABLE AND ROBUST

The MP V65 platform stairlift has been designed in accordance with Directive 2006/42/EC on Machinery. Featuring safety devices that ensure it stops in the event of a hazard, it can transport up to 300 kg and comes in versions for indoor and outdoor installation (IP55).

#### ACCESSIBILITY

These products are the ideal solution for ensuring accessibility in public buildings as well as council and privately owned houses and flats, allowing those in a wheelchair to get up and down stairs and steps effortlessly.

#### EASY INSTALLATION

This solution does not require any architectural changes to the pre-existing structure.

